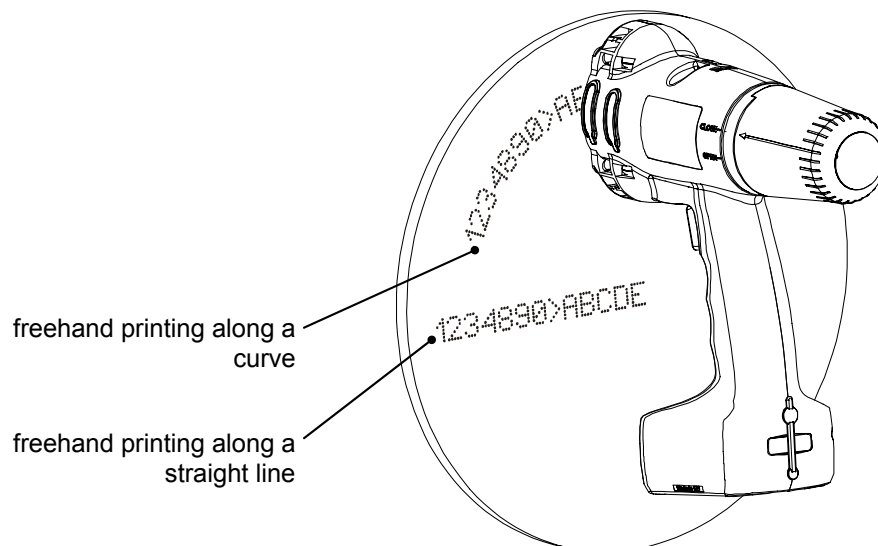


## HANDJET<sup>®</sup> EBS 250 Printer Accessories

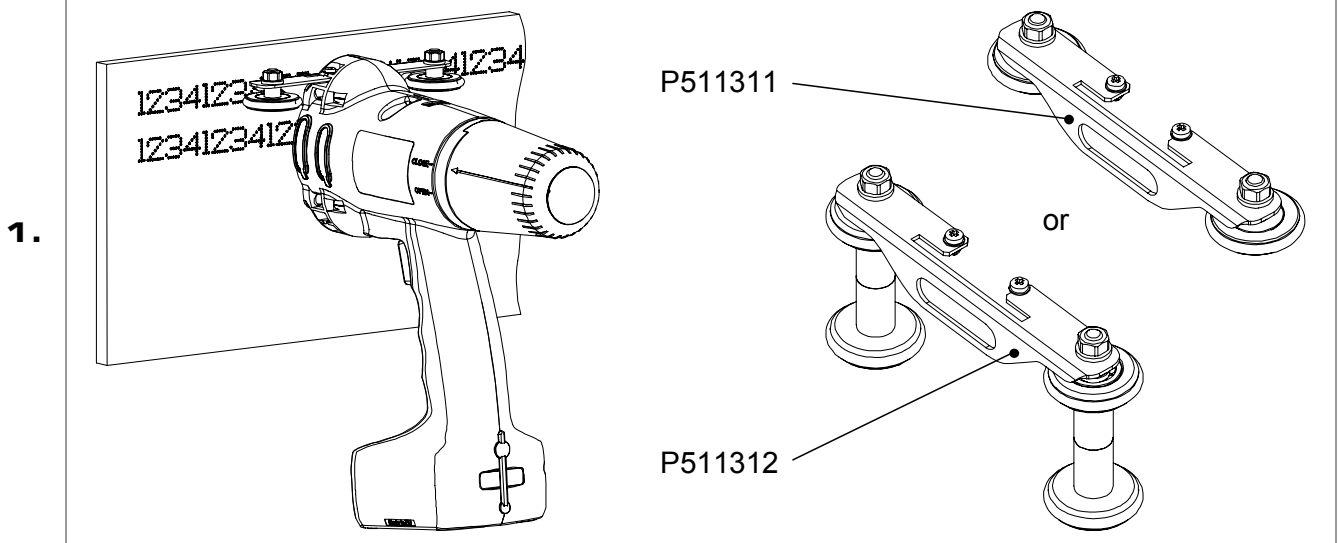
### Roll Guide to Support Printing

The HANDJET<sup>®</sup> EBS 250 printer is equipped with its own guide rolls, as standard, to enable it to make prints. While holding the printer in his or her hand, a printer operator controls the direction of printing freely. However, sometimes it is required that printing be always rectilinear irrespective of how inaccurately the printer is guided by the operator. That is enabled by an additional roll guide aid that is attached to the printer to support rectilinear printing. The roll guide is an optional piece of equipment for the HANDJET<sup>®</sup> printers. The types, application and part numbers of the roll guides are given below.

In the standard approach – with no roll guide – freehand printing requires that the printer be guided precisely by an operator along an object to be labelled.

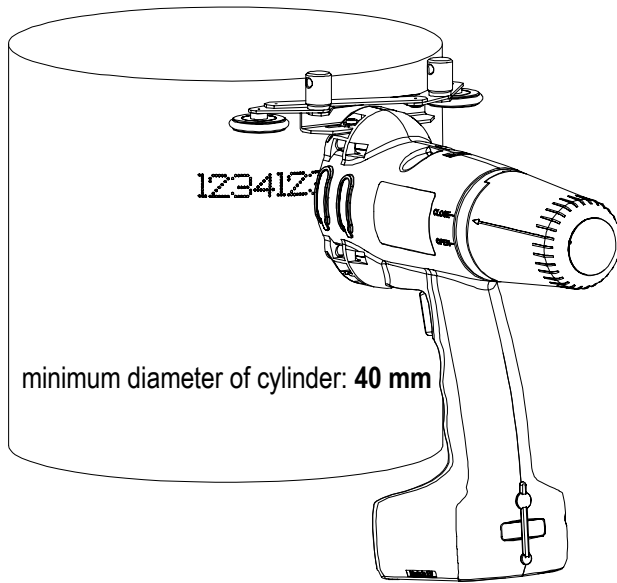


Printing on flat surfaces with the application of a roll guide, which supports rectilinear printing, requires no effort from the operator to guide the printer along an object to be labelled precisely.

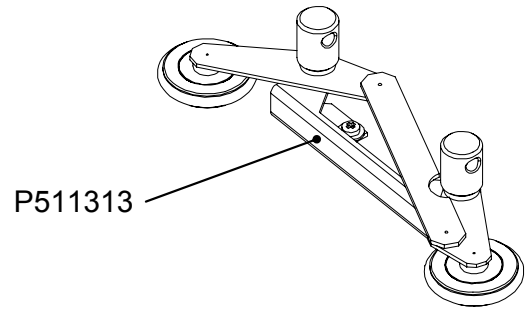


2.

Radial (circumferential) printing on cylindrical surfaces with the application of a roll guide, which supports rectilinear printing, requires no effort from the operator to guide the printer along an object to be labelled. The rolls can be fitted to the cylinder diameter.



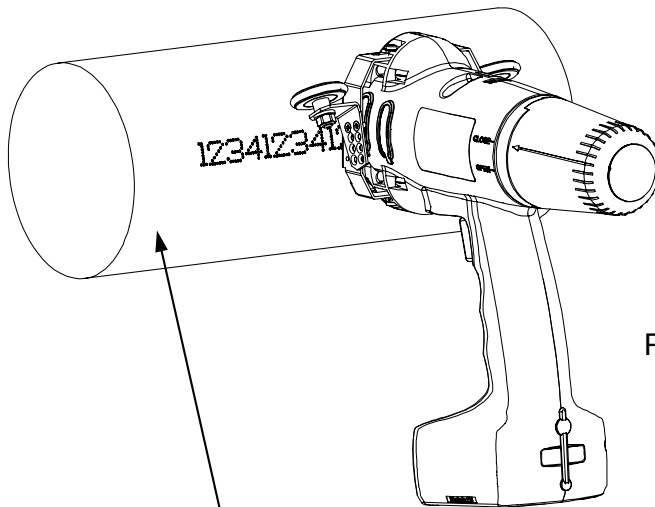
minimum diameter of cylinder: **40 mm**



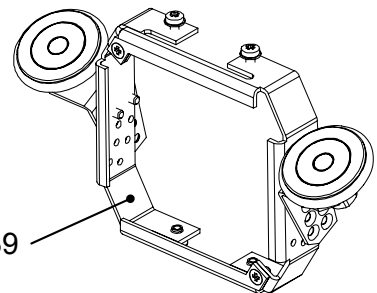
P511313

3.

Axial printing on cylindrical surfaces with the application of a roll guide, which supports rectilinear printing, requires no effort to get the printer guided precisely along an object to be labelled. The rolls can be fitted to the cylinder diameter.



minimum diameter of cylinder:  
**120 mm** – with standard bottom rolls (Ø33),  
 or  
**80 mm** – with optional bottom rolls with a greater diameter (Ø40) – Part No. P511695.



P511339

